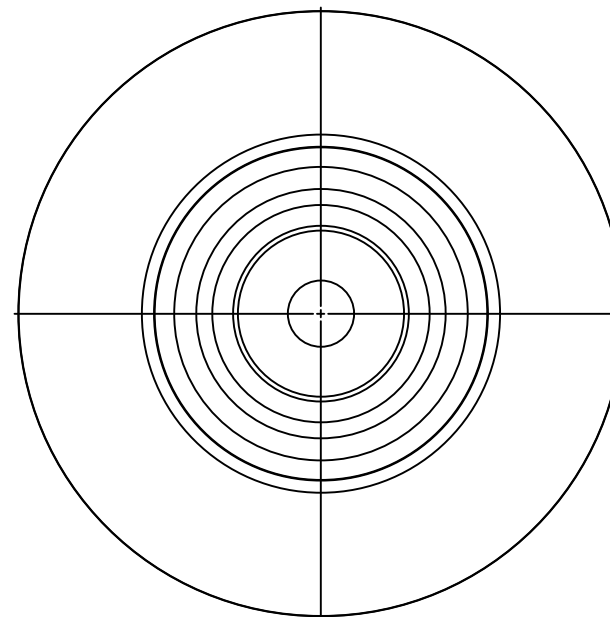
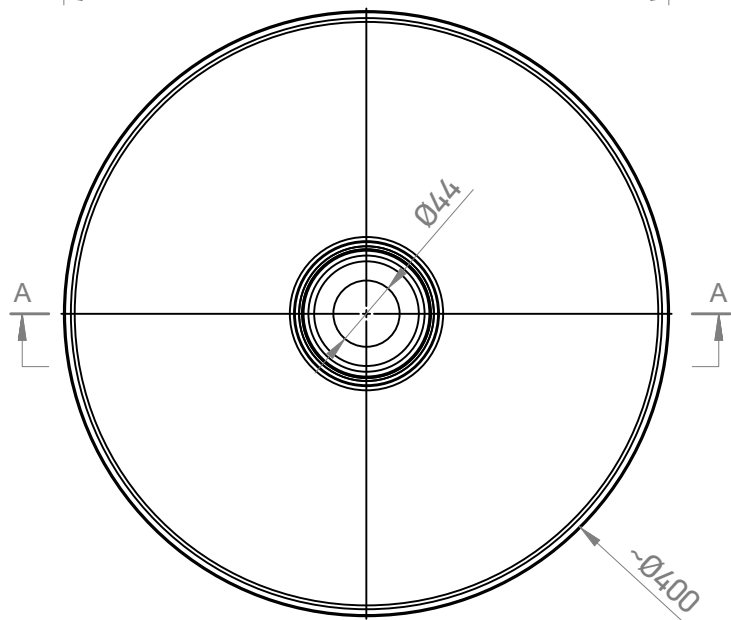



Bottom view



	Name: CAPRI PLUS D40x15	
	Item NR.: 6 301 17 04 10 18	
Weight: 4,5 kg	Visible height: 15 cm	Scale: 1:5