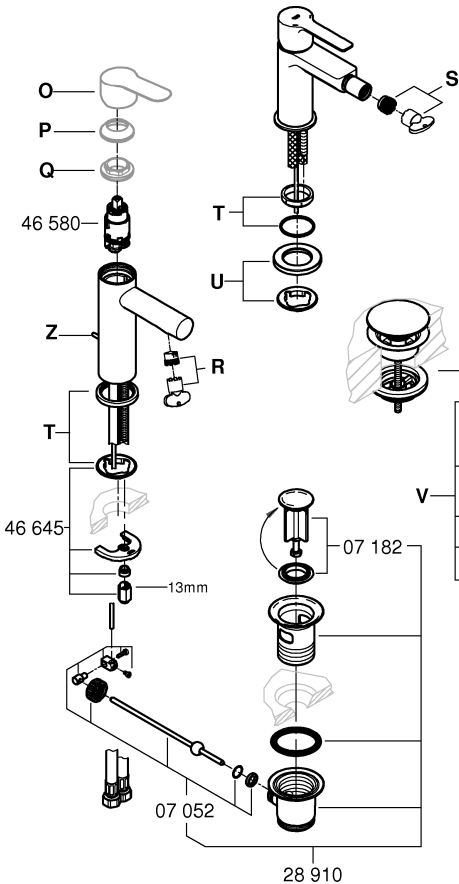




<b>O</b>	46 917	46 918	46 980	46 981	46 786	46 866	46 740	46 892	46 919	46 984	46 788
<b>P</b>	---	---	46 581	46 581	---	---	---	---	---	46 581	46 581
<b>Q</b>	46 715	46 715	07 419	07 419	46 715	46 715	46 715	46 715	48 591	07 419	07 419
<b>R</b>	46 765	46 765	48 159	48 159	48 159	48 159	13 929	48 159	---	---	---
<b>S</b>	13 998	13 998	13 998	13 998	46 791	46 791	---	---	---	---	---
<b>T</b>	48 603	48 603	---	---	---	---	46 719	---	---	---	---
<b>U</b>	---	---	---	---	48 421	48 421	48 165	48 421	---	---	---

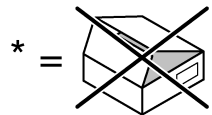


	= 114	= 127	= 179	= 113	= 150
<b>V</b>	13 373	13 374	13 375	---	13 322
	13 418	13 419	13 420	---	13 323
<b>W</b>	48 270	48 270	48 270	48 159	48 159
	48 480	48 480	48 480	48 159	48 159
<b>X</b>	01 285	01 285	01 285	---	---
<b>Y</b>	48 266	48 266	48 266	---	---

<b>Z</b>	46 739	46 787	06 815

<b>*19 017</b>	13mm

	07 052	180mm
	*07 341	350mm





DIN EN  
806

DIN EN  
1717

DIN  
1988

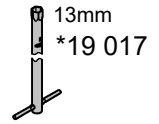
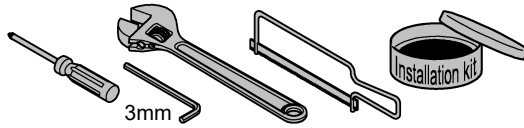
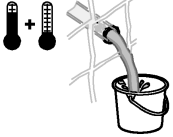


bar

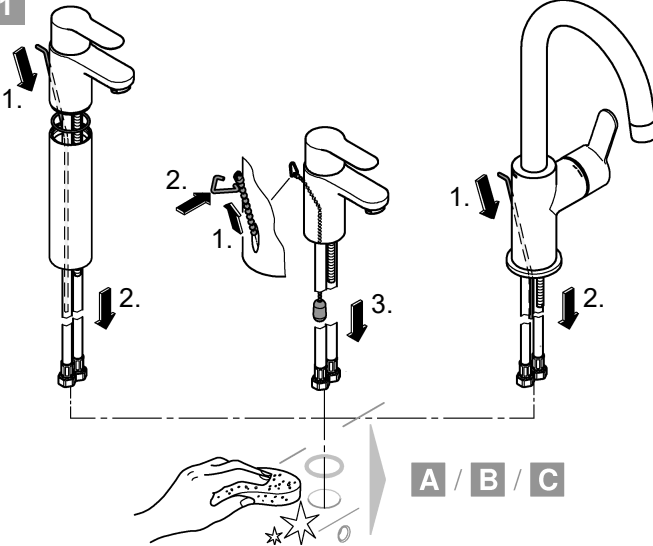
max. 10  
0,5 5 1



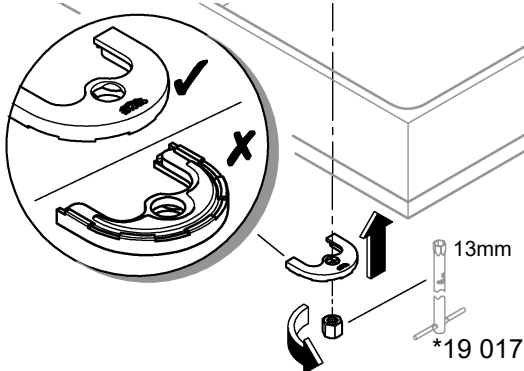
max. 70°  
60°

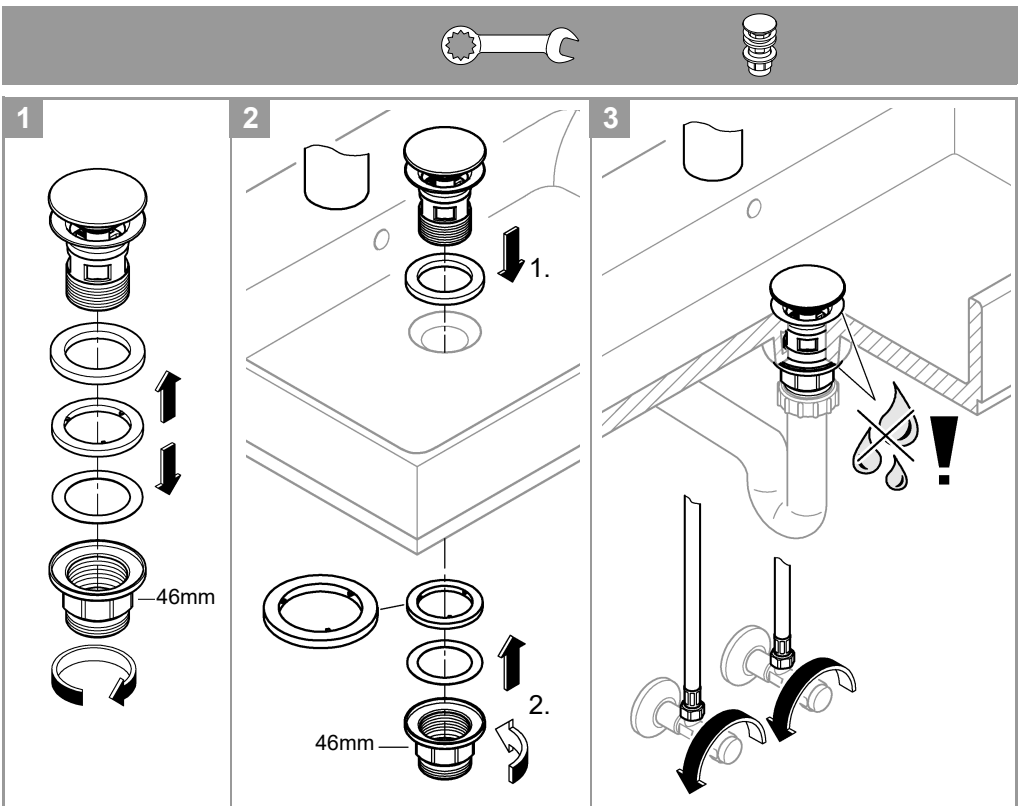
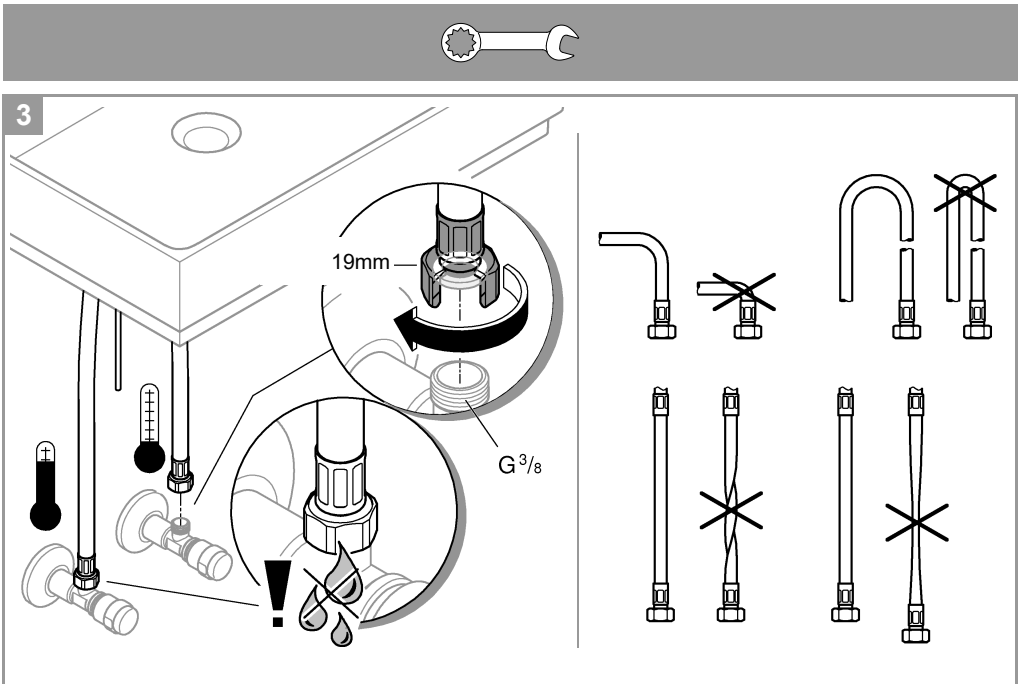


1



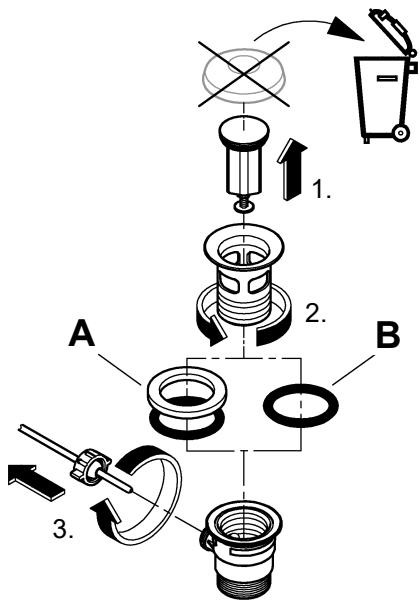
2



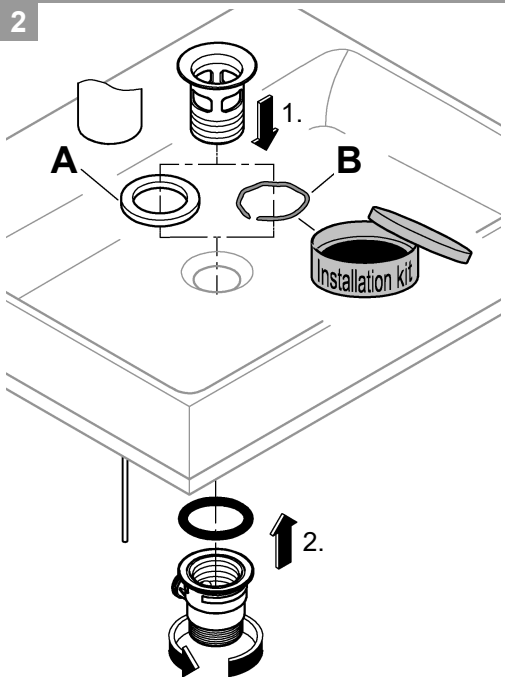




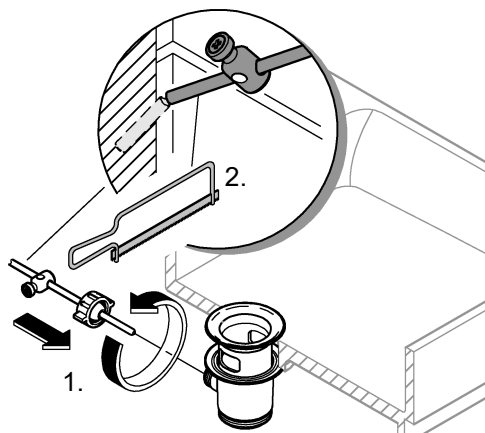
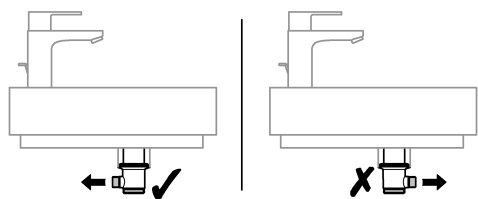
1



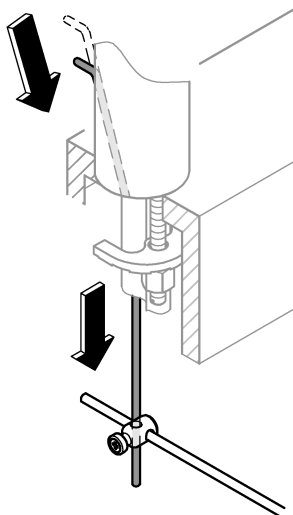
2



3

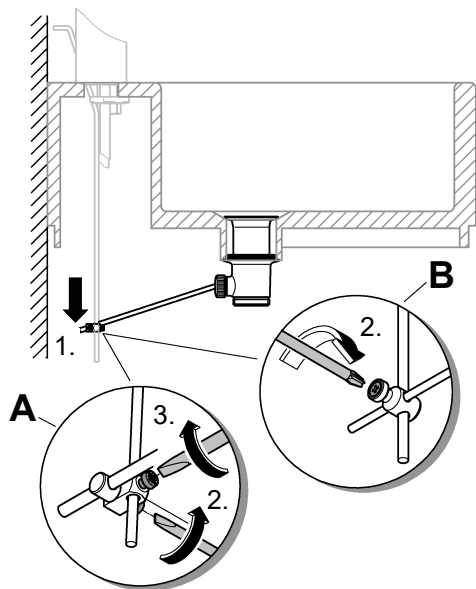


4

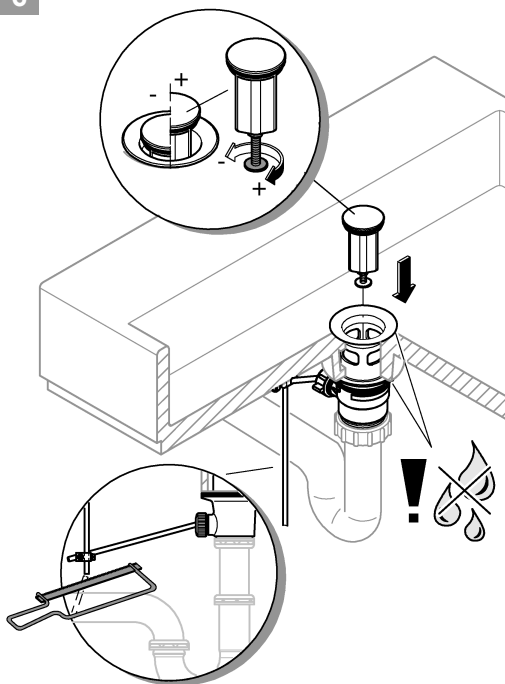




5



6



optional

