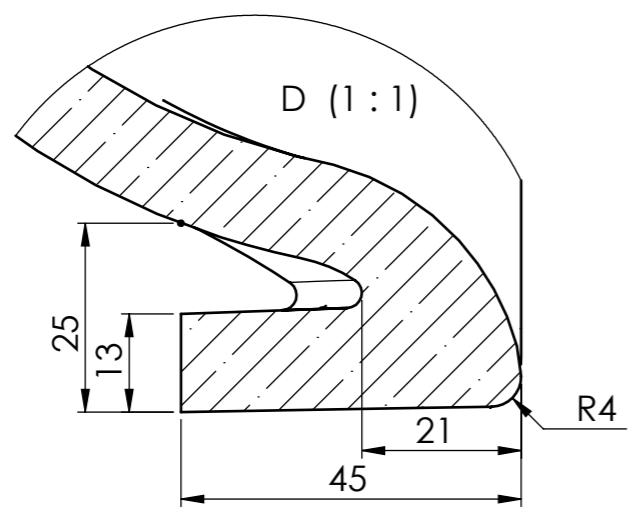
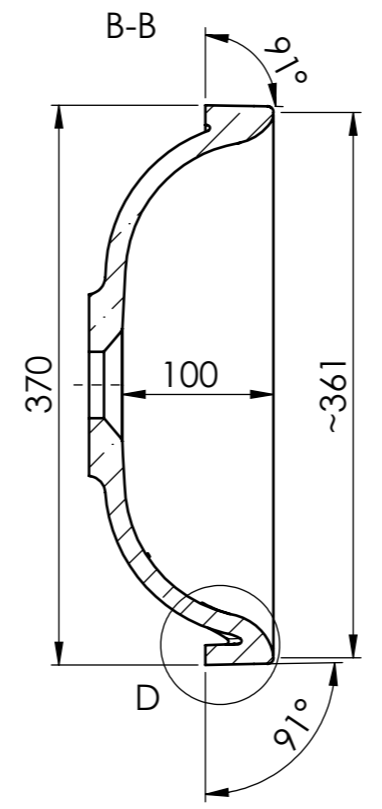
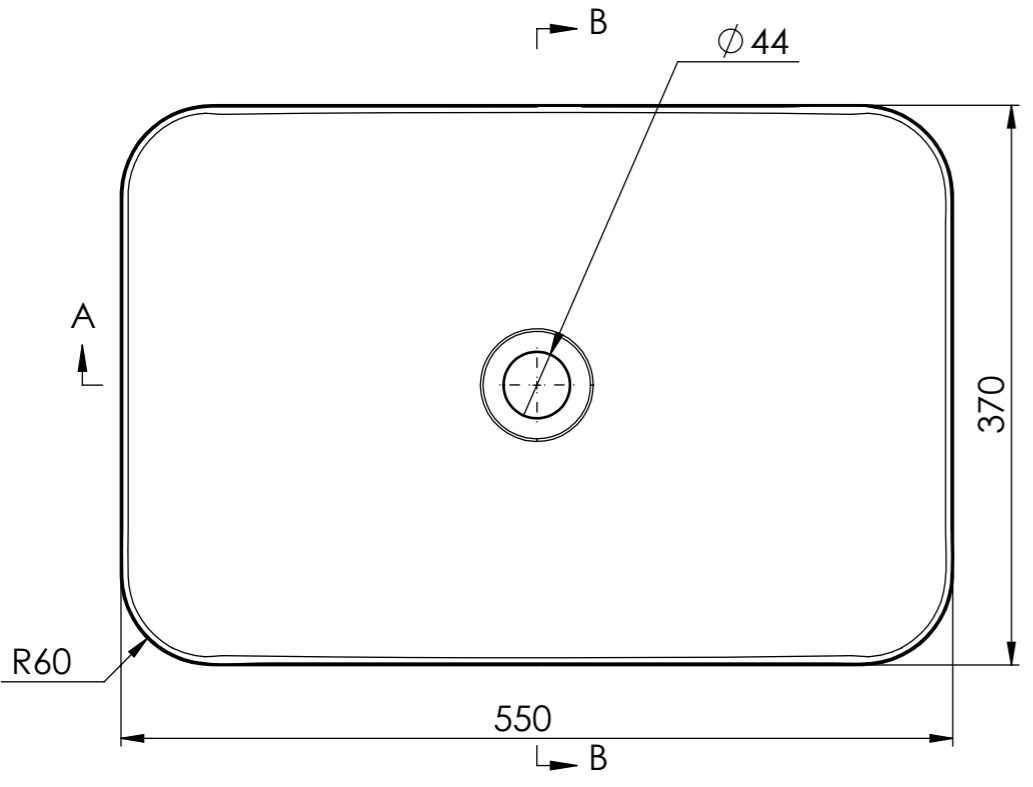
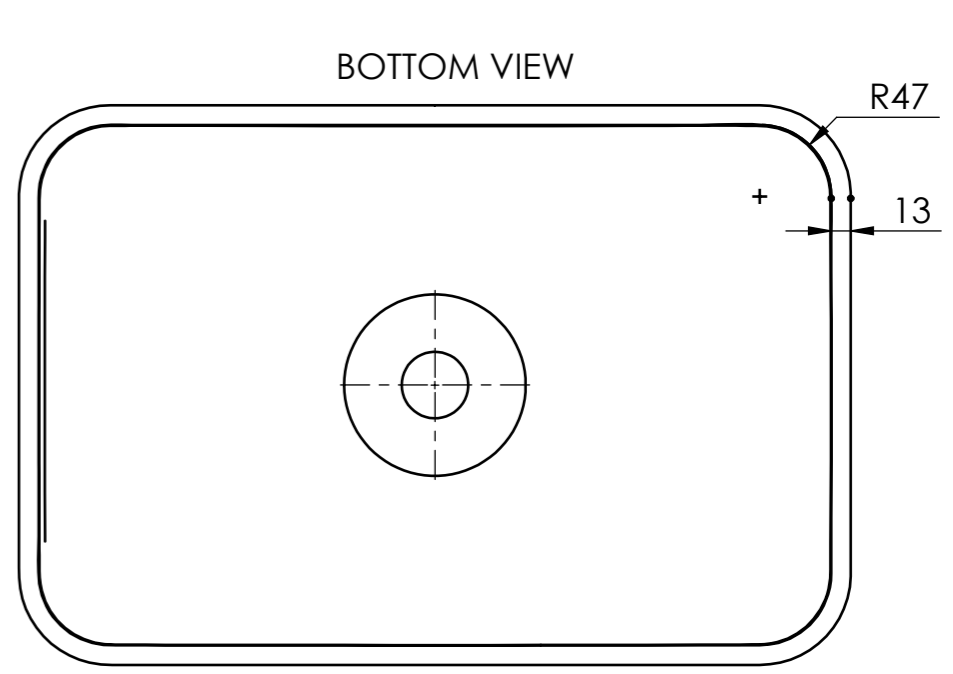
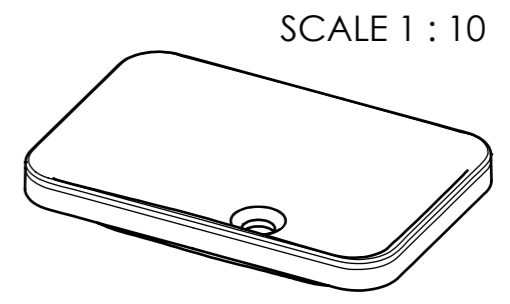
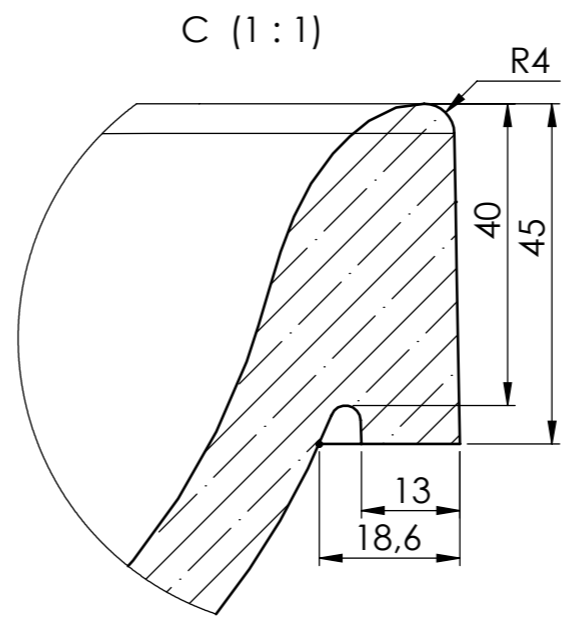
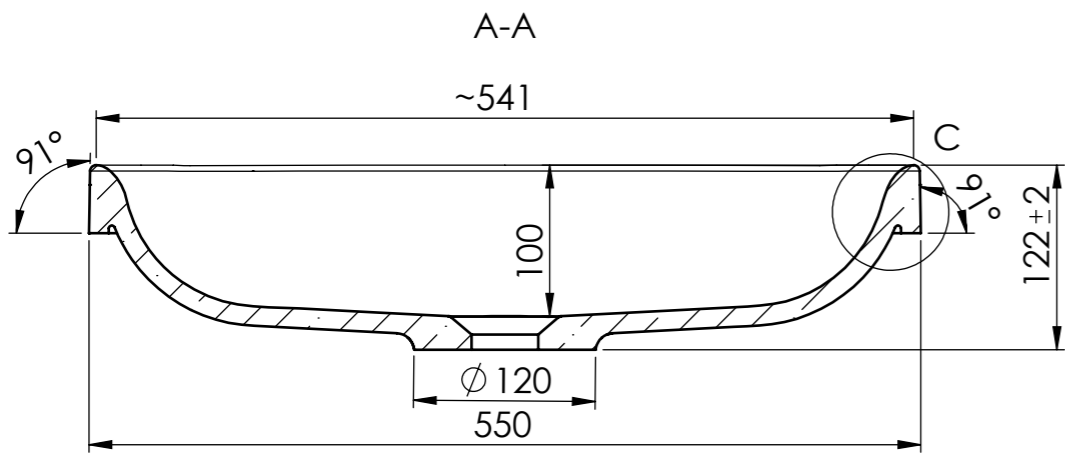


1 2 3 4 5 6 7 8

A
B
C
D
E
F

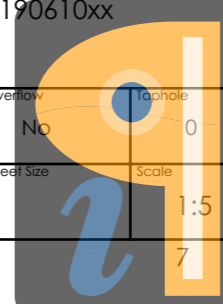
A
B
C
D
E
F



Tolerance length	+3/-0 mm
Tolerance length granite	+1.5/-1.5 mm
Tolerance Taphole Location	+3/-3 mm
Tolerance overflowhole Location	+3/-3 mm
Tolerance plane bending	+1.5/-1.5 mm

Drawn by	Created Date	Checked by
Project status	Client	

Art. Name:		Art. No: 6000190610xx	
Customer ID: STD		Main dimensions L x W / H [mm]	
Material volume [mm³]	Overflow	Taphole	Drain
Surface area [mm²]	No	0	550 x 370 / 122
Sheet Size	Scale	1:5	Regular
Current revision			001



www.icni.com/unlock.htm

1 2 3 4 5 6 7 8