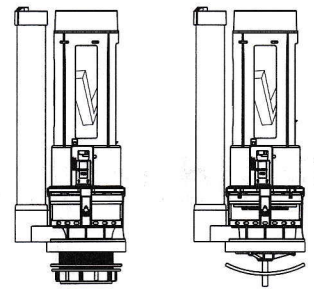
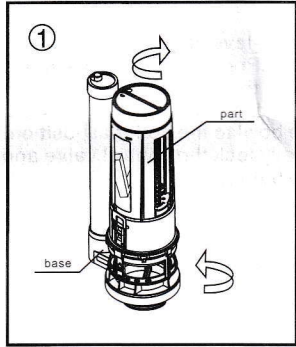


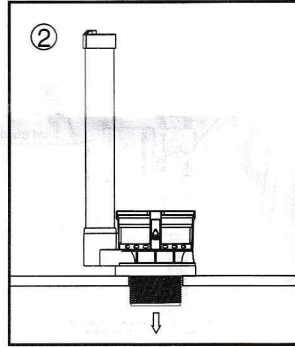
Product Installation—flush valve



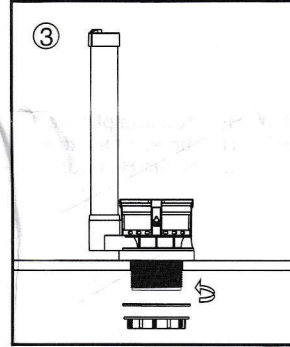
Configuration Picture



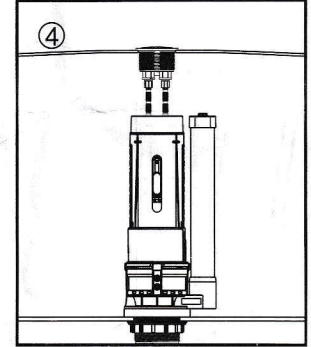
① rotate the body, separate it from the base



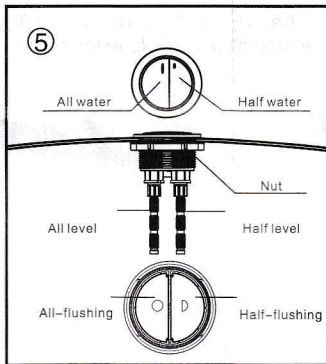
② Install the base into drainer hole, adjust it perfectly to the wall if water tank, rotate it with suitable angles.



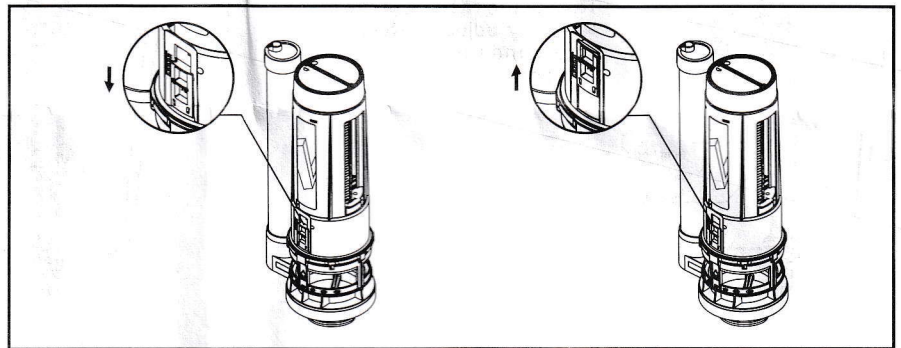
③ lock it with plastic screw, make the seal ring completely with tank draining hole, then install the valve.



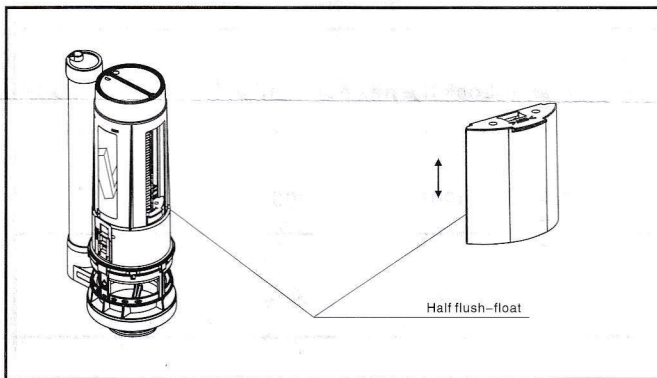
④ put button into the hole, rotate push rod and adjust its height to touch button.



⑤ adjust the button to make the half level aim at Half water button, all level aim at all water button, rotate nut and lock it.

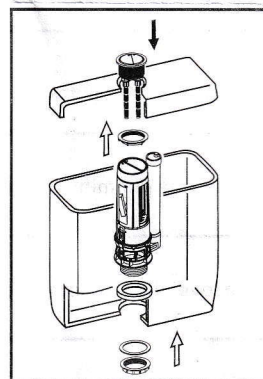


Adjust the all water controller to control its water volume, when turn it down, the button hole will close, its water volum, will be more, and vice versa.

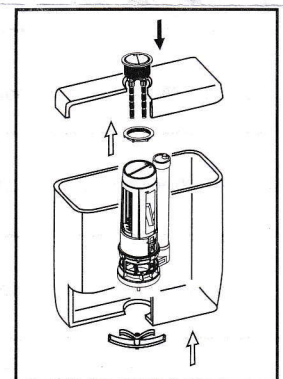


Adjust half key float to control its displacement, float is higher, its displacement will be less.

Two pieces configuration picture

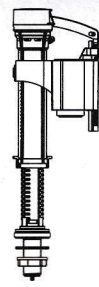


Screw-in, two-piece

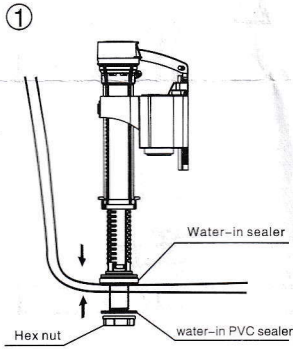


Screw-in, one-piece

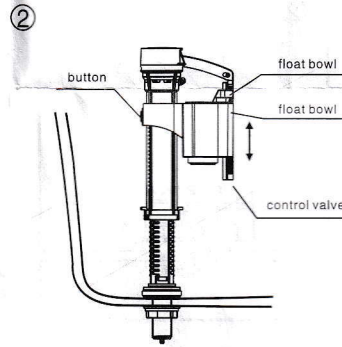
Product Installation—fill valve



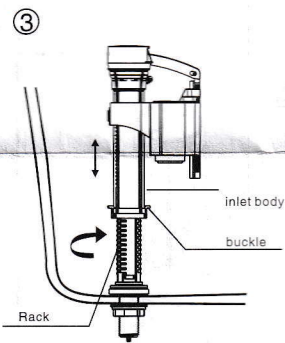
Configuration Picture



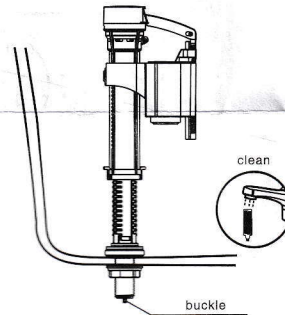
Take off the Hex nut, and put the Fill valve in to the hole, adjust the body position. lock the Hex nut .



Water-level adjust:
NO. 1: Press the float bowl, move out of the control valve and push the button to the "open" side. Adjust the bowl to the optional position. finally lock the control valve and the button.



Water-level adjust:
NO. 2: Push out of the buckle, Rotate the rack from the clock wise way, adjust the height, final rotate the rack to the original position.



When the water can not be filled smoothly, please clean the buckle.

Trouble shooting

malfunction	Solution
Leaking Water: Check the Hex nut is tight or not.	Lock the hex nut tightly
Flooding Water: The float bowl can not be fixed in the right way.	adjust the float bow or change the part
Water-filling not smooth: Check the buckle was jamming or not.	clean the buckle
Water level is too high or low: Check the level of the inlet valve.	adjust the inlet valve to the optional position
Other	please ask the technician for help