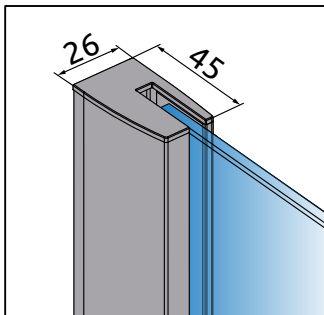
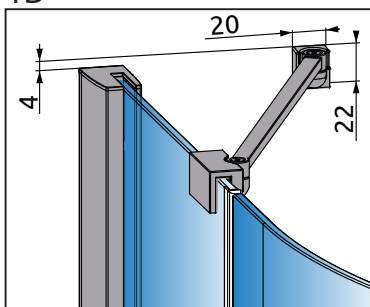


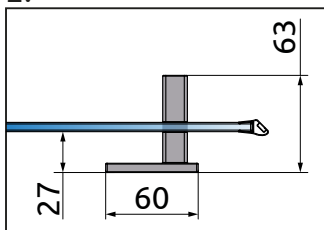
1A



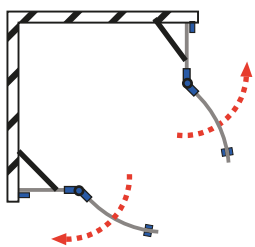
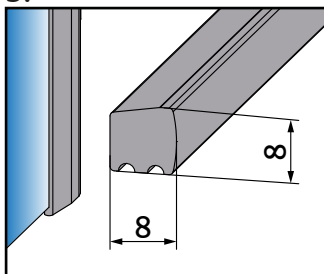
1B



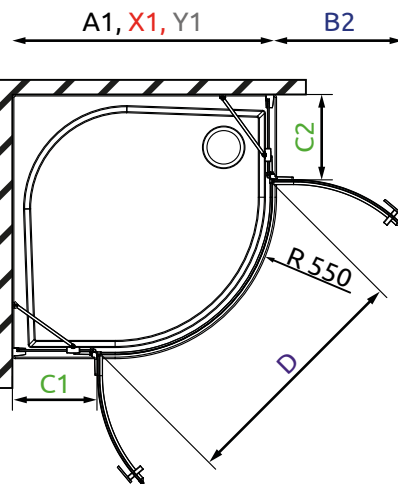
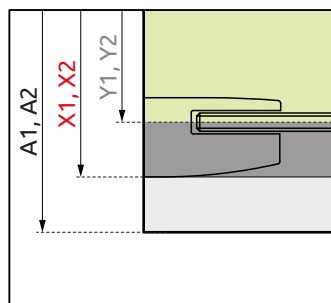
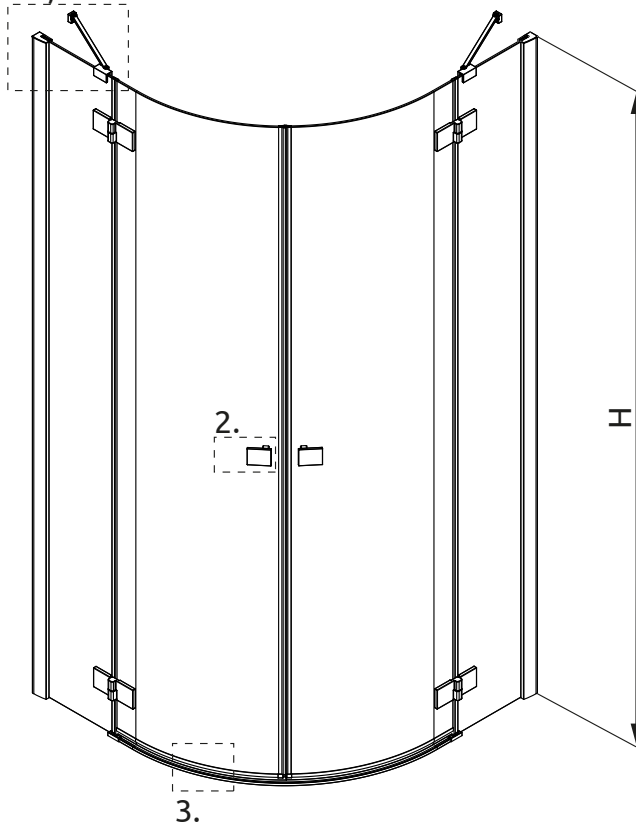
2.



3.



1A,1B



Modell	A1	A2	X1	X2	Y1	Y2	B1	B2	C1	C2	D	H
PDD 80Lx80R	800	800	785-800	785-800	767-782	767-782	440	440	188-203	188-203	825	2000
PDD 80Lx90R	800	900	785-800	885-900	767-782	867-882	440	440	188-203	288-303	825	2000
PDD 80Lx100R	800	1000	785-800	985-1000	767-782	967-982	440	440	188-203	388-403	825	2000
PDD 90Lx80R	900	800	885-900	785-800	867-882	767-782	440	440	288-303	188-203	825	2000
PDD 90Lx90R	900	900	885-900	885-900	867-882	867-882	440	440	288-303	288-303	825	2000
PDD 90Lx100R	900	1000	885-900	985-1000	867-882	967-982	440	440	288-303	388-403	825	2000
PDD 100Lx80R	1000	800	985-1000	785-800	967-982	767-782	440	440	388-403	188-203	825	2000
PDD 100Lx90R	1000	900	985-1000	885-900	967-982	867-882	440	440	388-403	288-303	825	2000
PDD 100Lx100R	1000	1000	985-1000	985-1000	967-982	967-982	440	440	388-403	388-403	825	2000