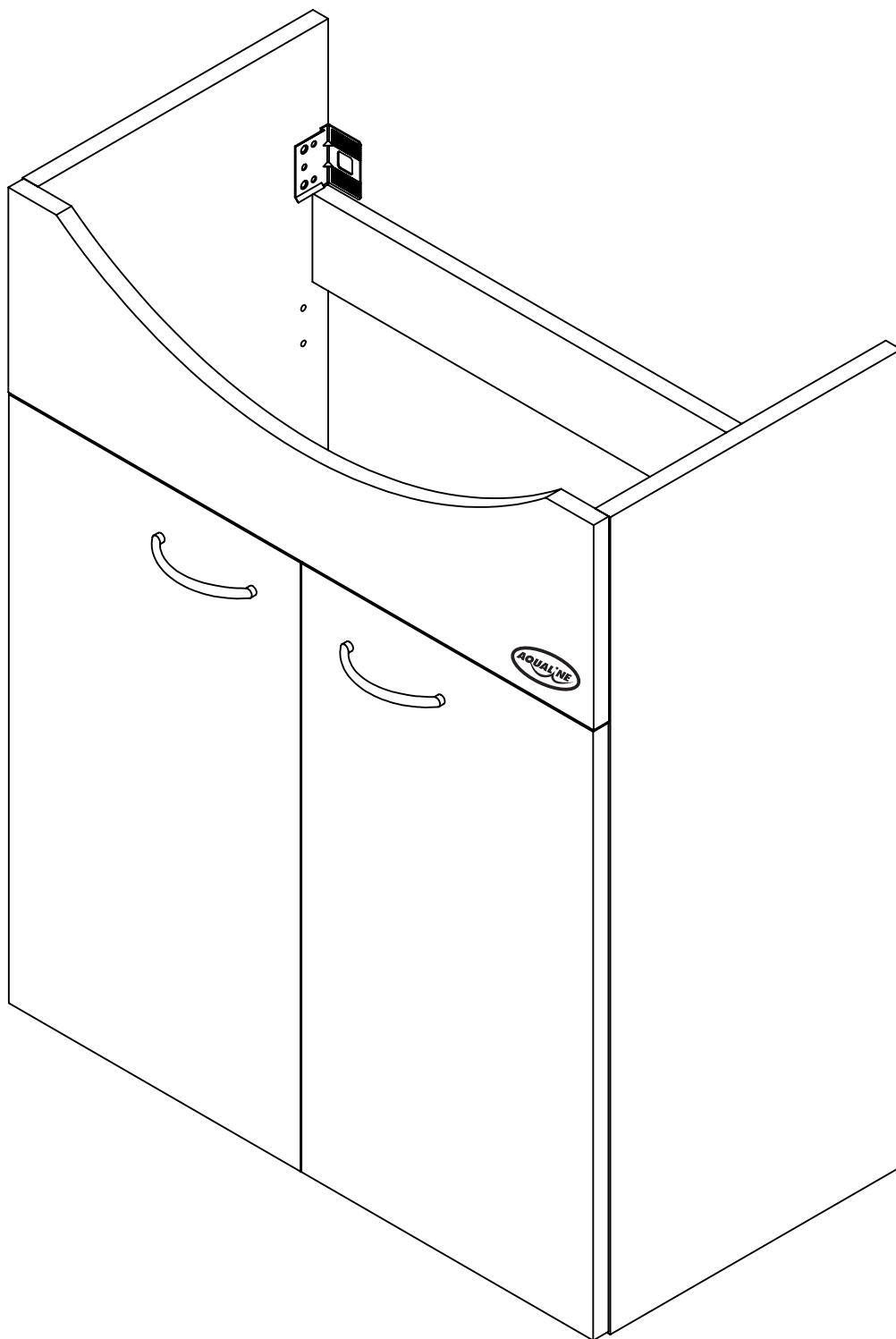
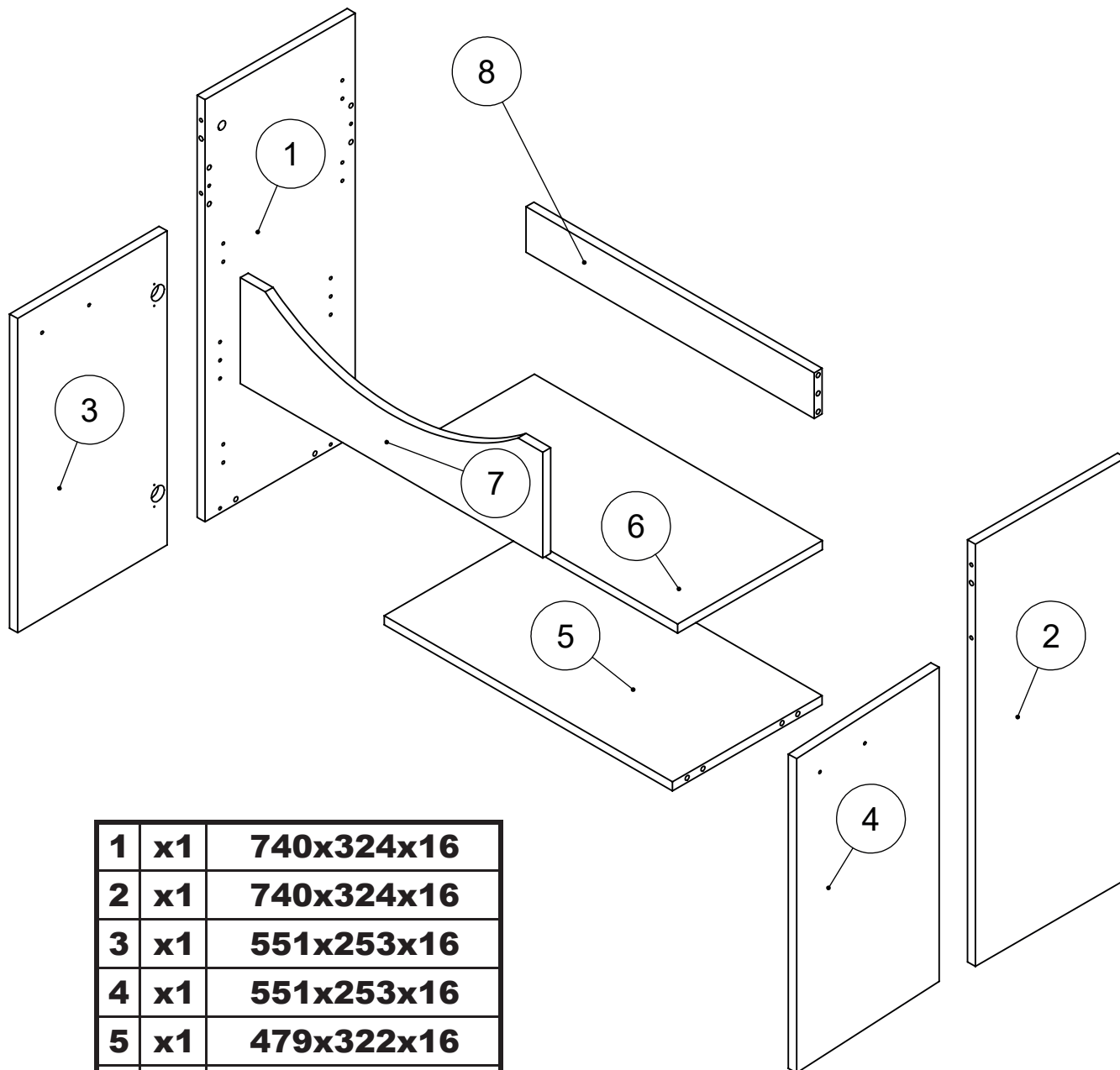


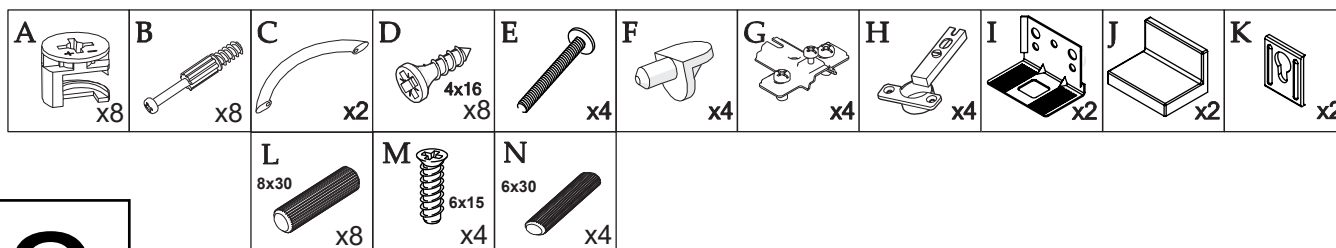
50057  
50058

**MONTÁŽNÍ NÁVOD**  
**ASSEMBLY INSTRUCTION**

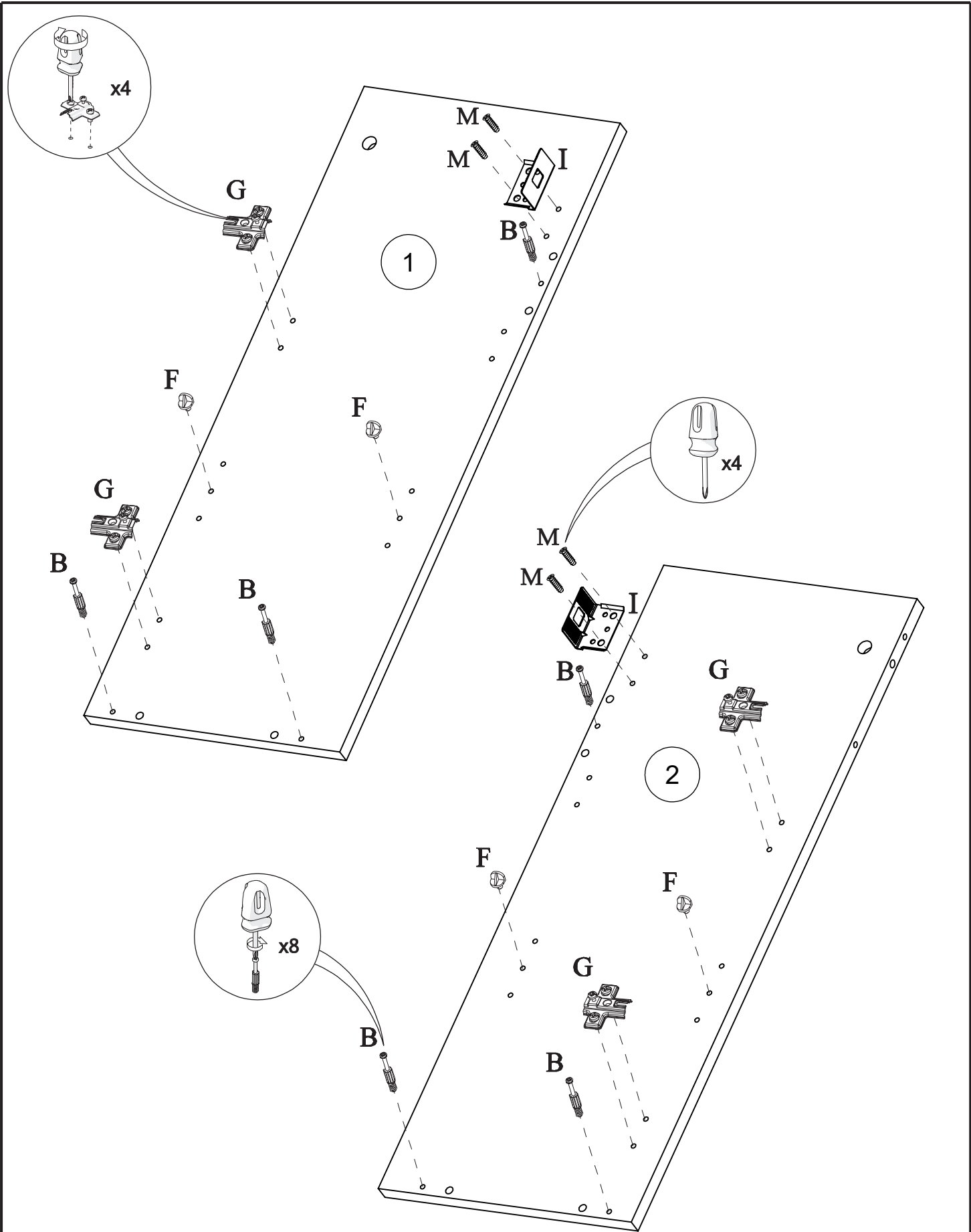


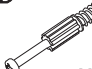
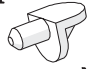

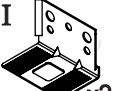



<b>1</b>	<b>x1</b>	<b>740x324x16</b>
<b>2</b>	<b>x1</b>	<b>740x324x16</b>
<b>3</b>	<b>x1</b>	<b>551x253x16</b>
<b>4</b>	<b>x1</b>	<b>551x253x16</b>
<b>5</b>	<b>x1</b>	<b>479x322x16</b>
<b>6</b>	<b>x1</b>	<b>479x313x16</b>
<b>7</b>	<b>x1</b>	<b>508x185.5x16</b>
<b>8</b>	<b>x1</b>	<b>479x81x16</b>

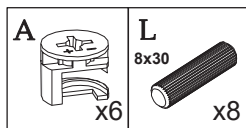
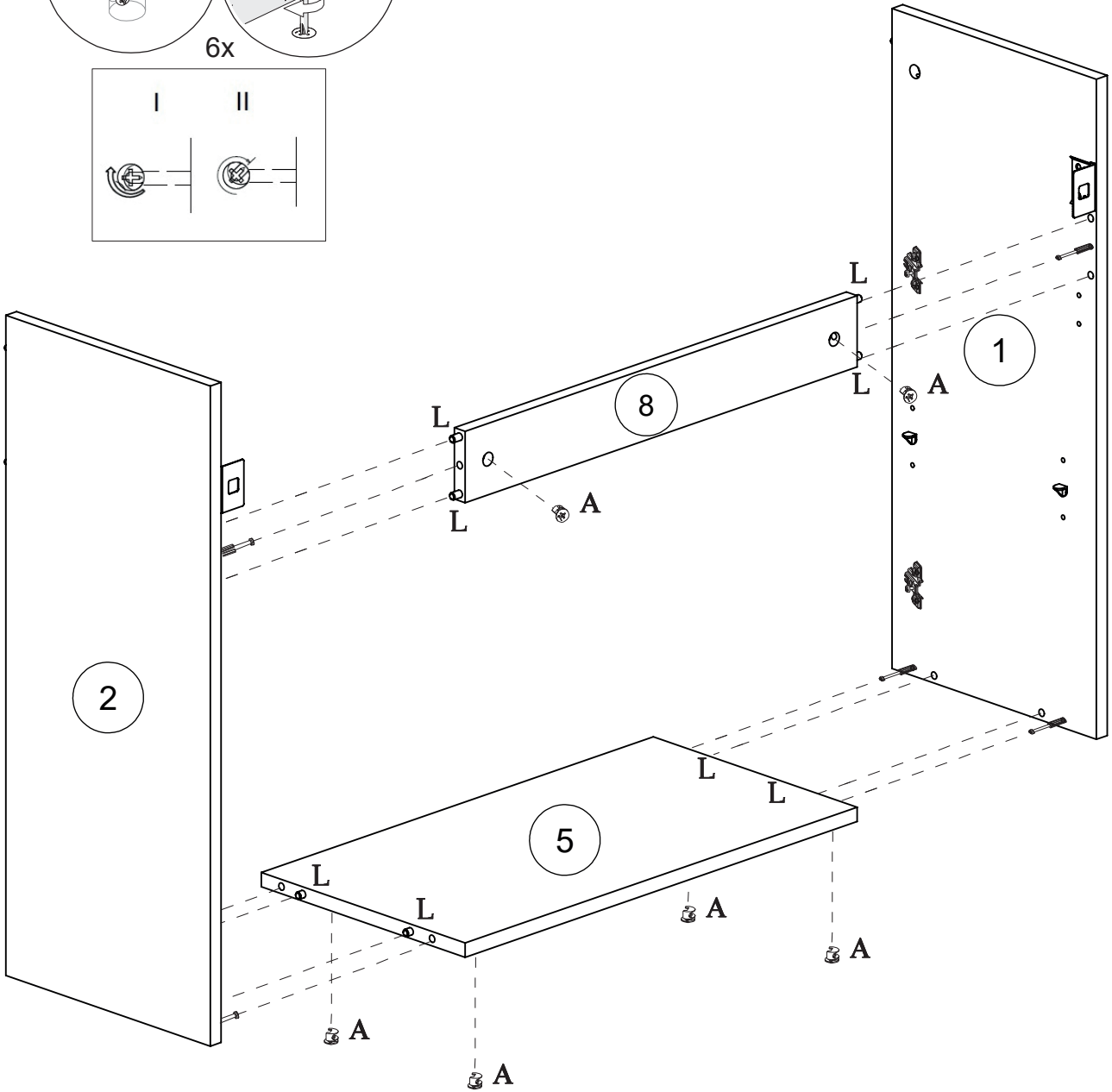
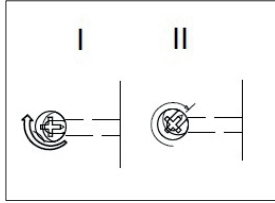
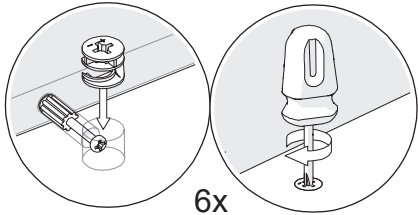


**2**

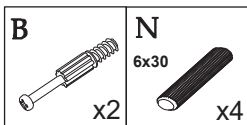
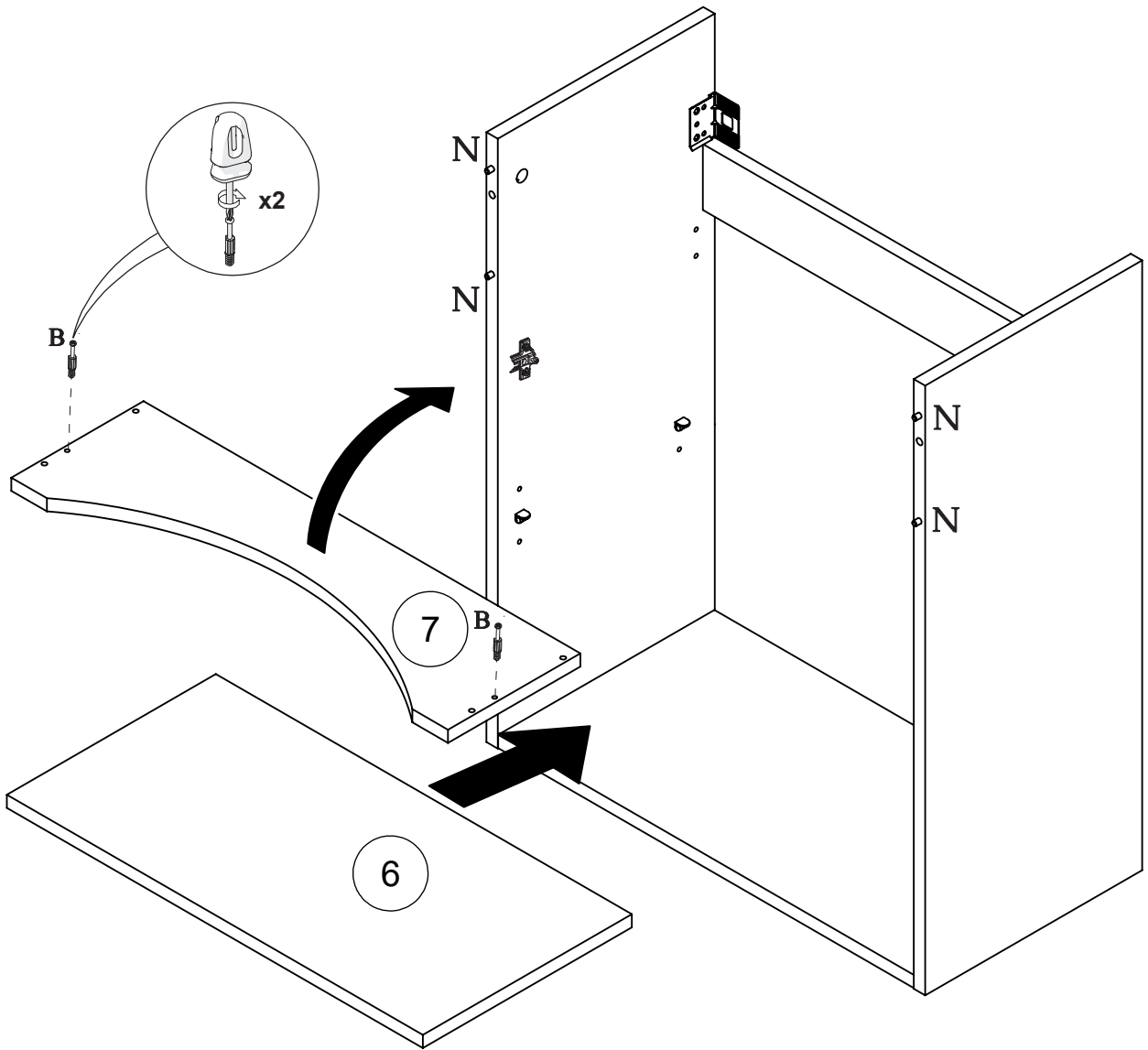


- |   |   |   |   |   |
|---|---|---|---|---|
| <b>B</b><br><br>x6 | <b>F</b><br><br>x4 | <b>G</b><br><br>x4 | <b>I</b><br><br>x2 | <b>M</b><br><br>6x15<br>x4 |
|---|---|---|---|---|

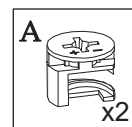
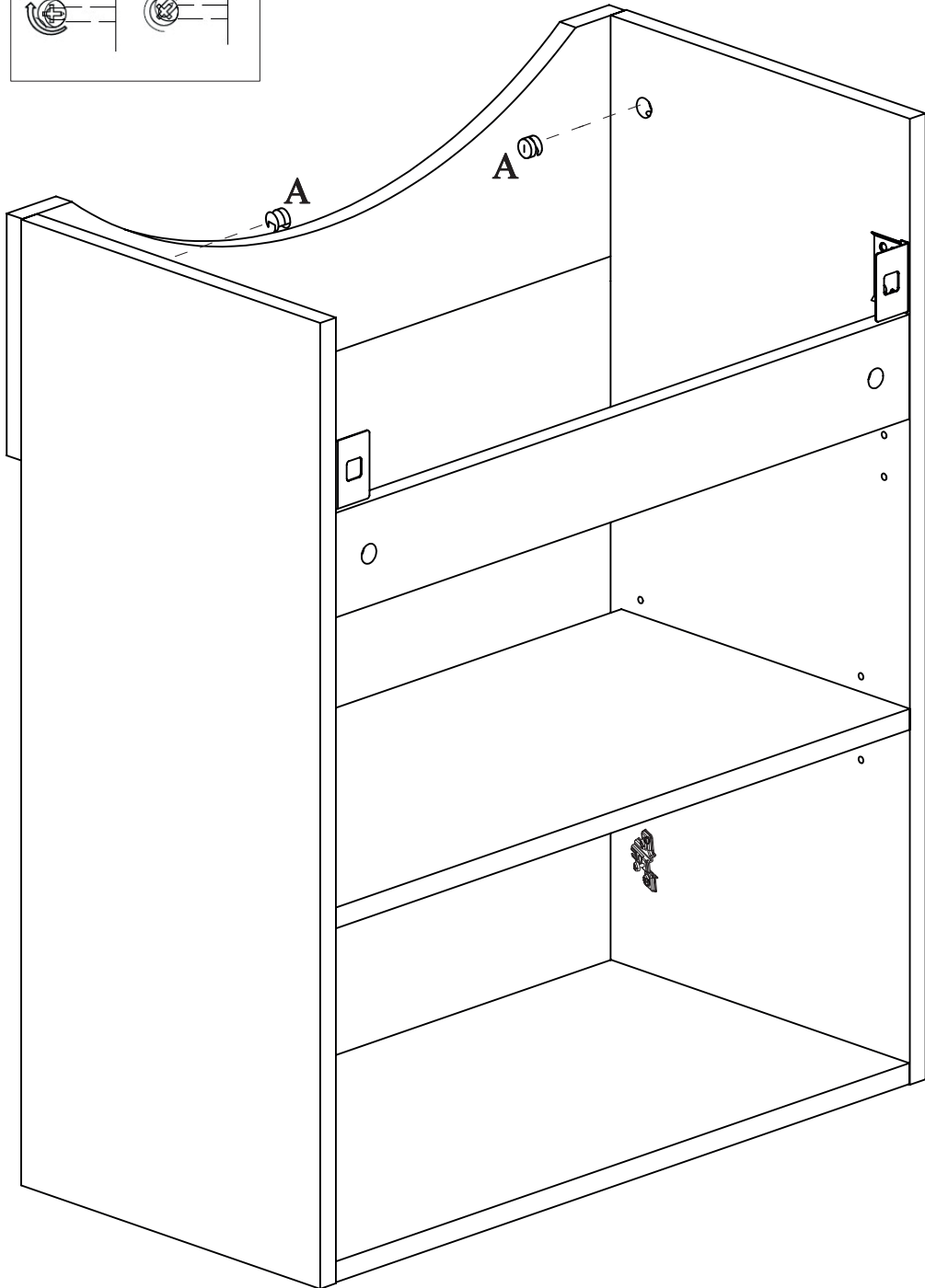
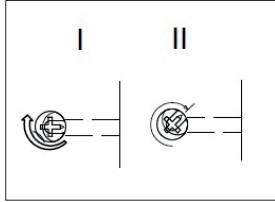
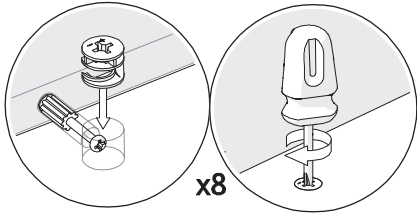
**3**



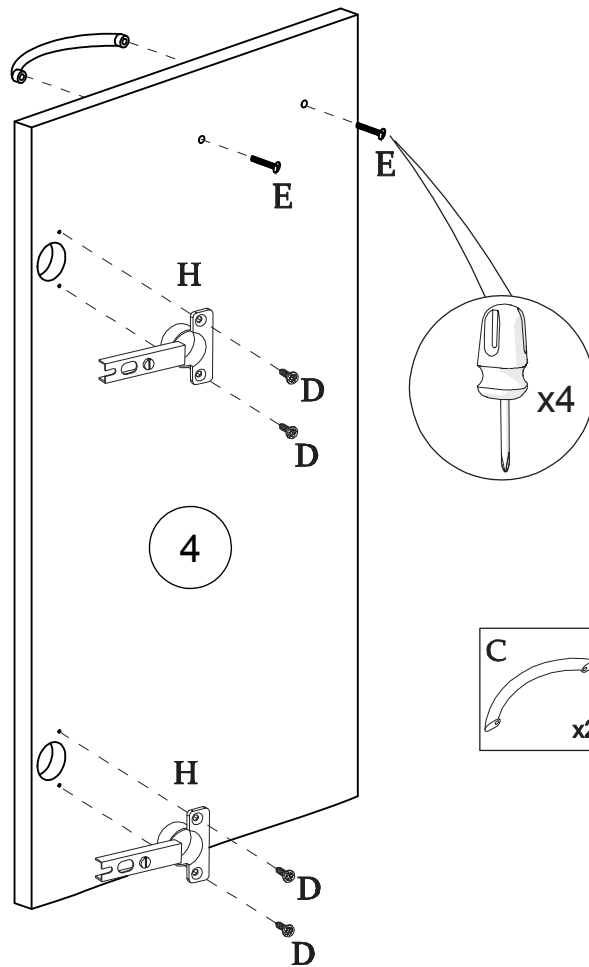
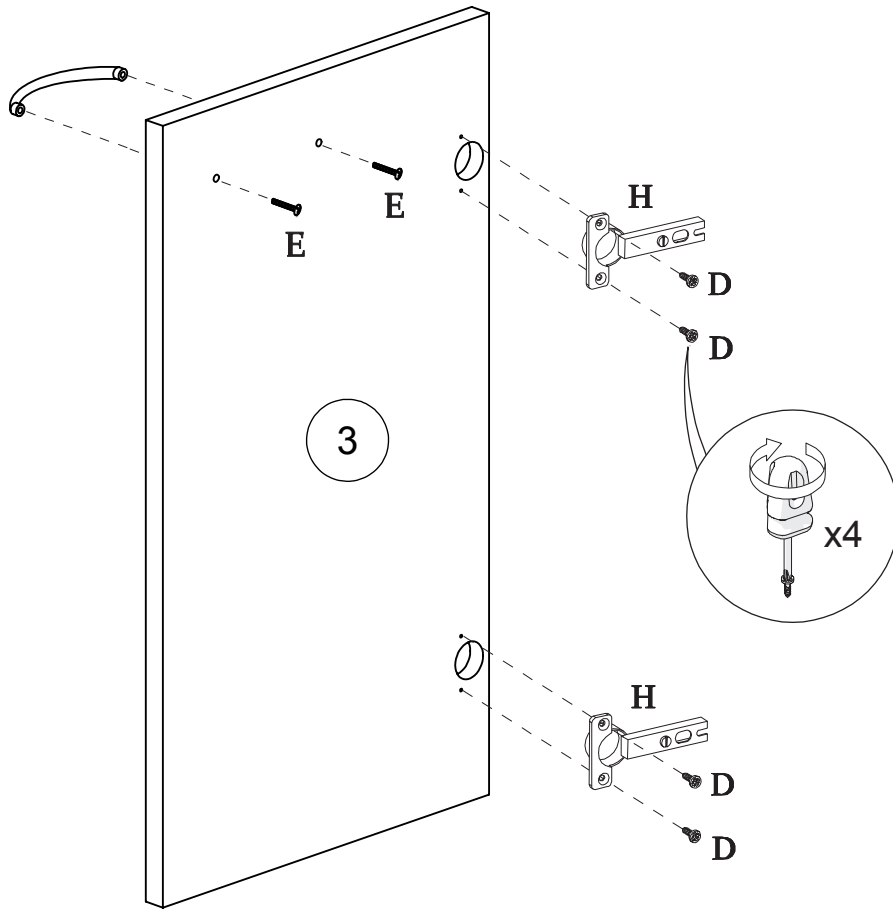
4



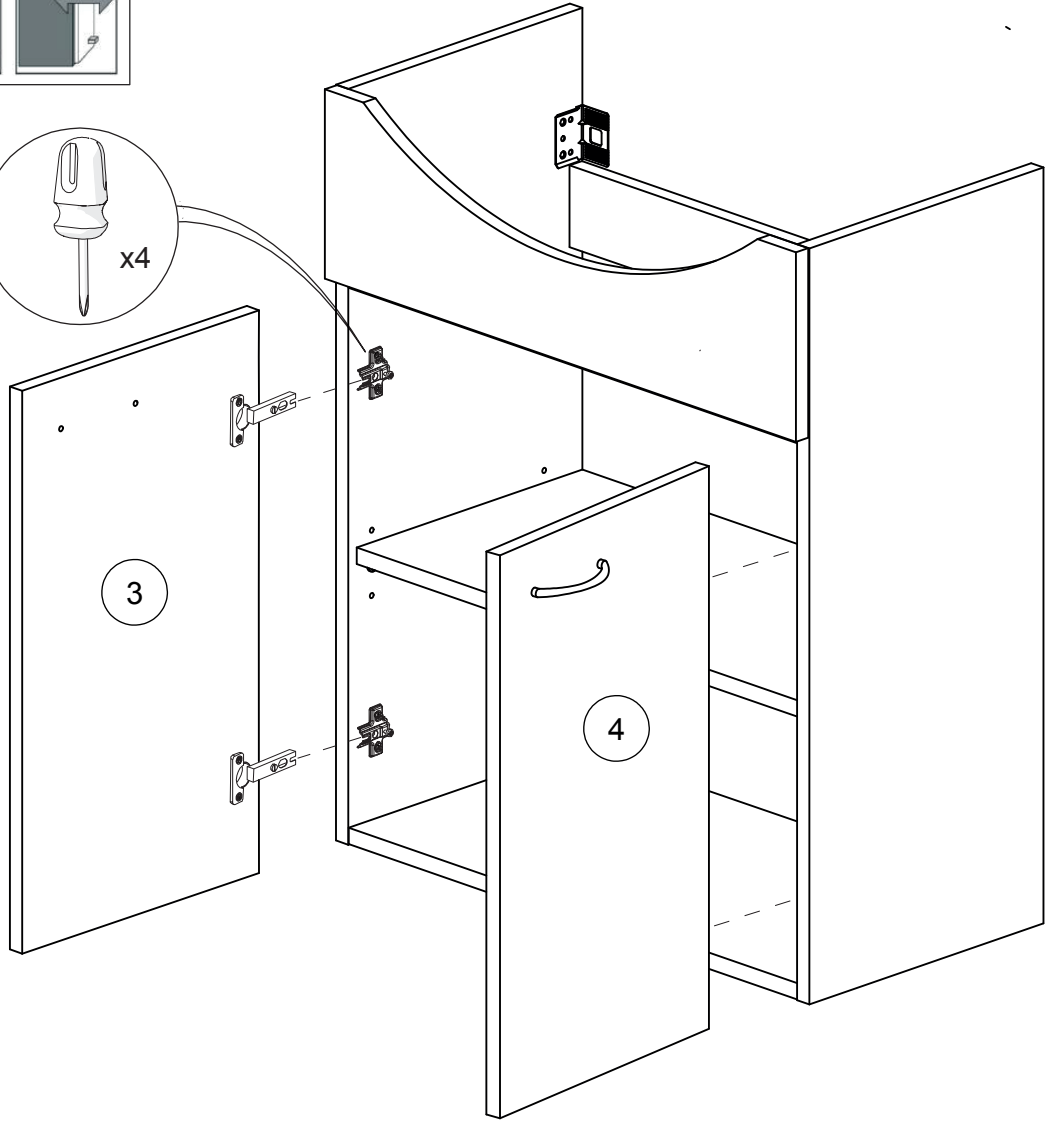
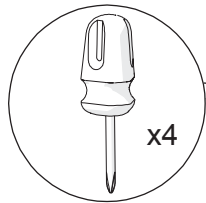
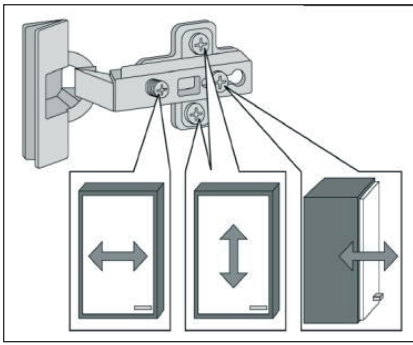
5



6



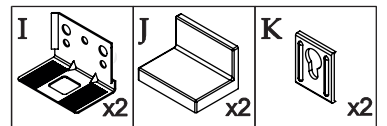
<p>C</p> <p>x2</p>	<p>D</p> <p>4x16 x8</p>	<p>E</p> <p>x4</p>	<p>H</p> <p>x4</p>
--------------------	-----------------------------	--------------------	--------------------



8

9

2x



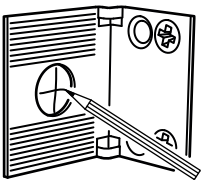
I

I

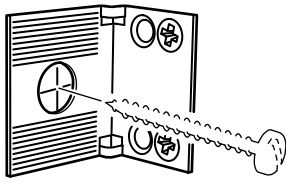
I+K

I+K

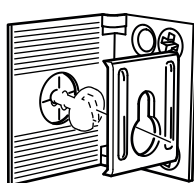
I+K+J



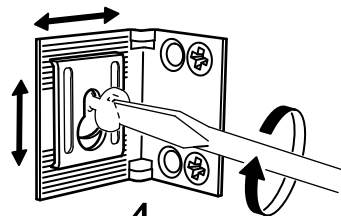
1



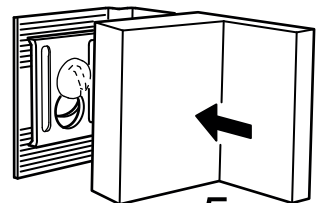
2



3



4



5