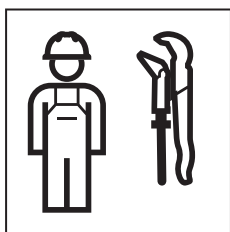


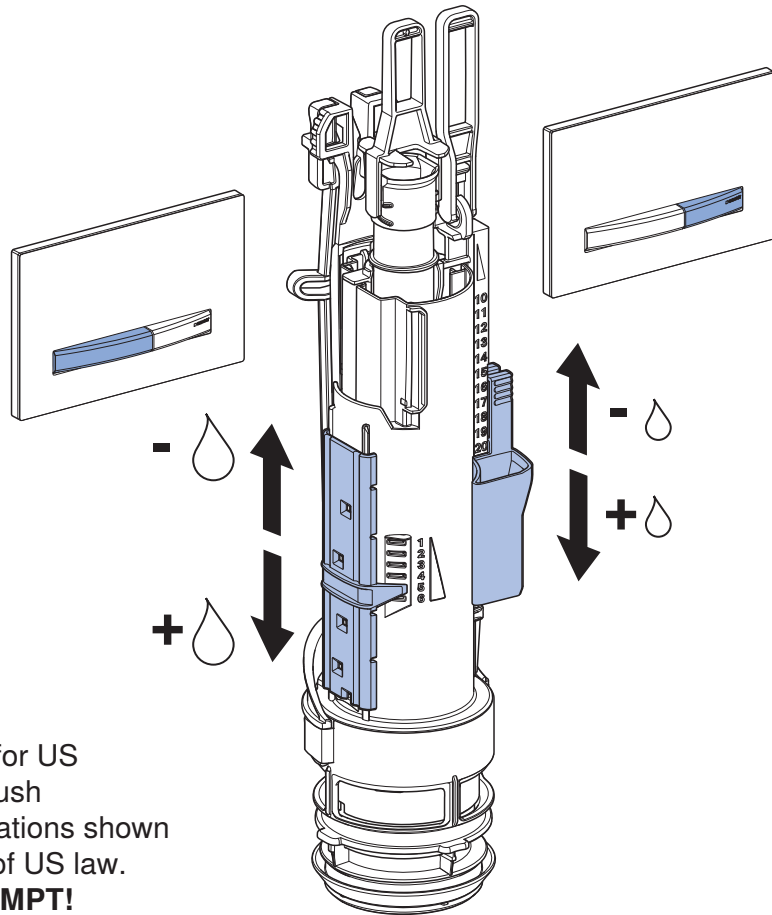
INSTALLATION MANUAL

MONTAGEANLEITUNG
INSTRUCTIONS DE MONTAGE
ISTRUZIONI PER IL MONTAGGIO

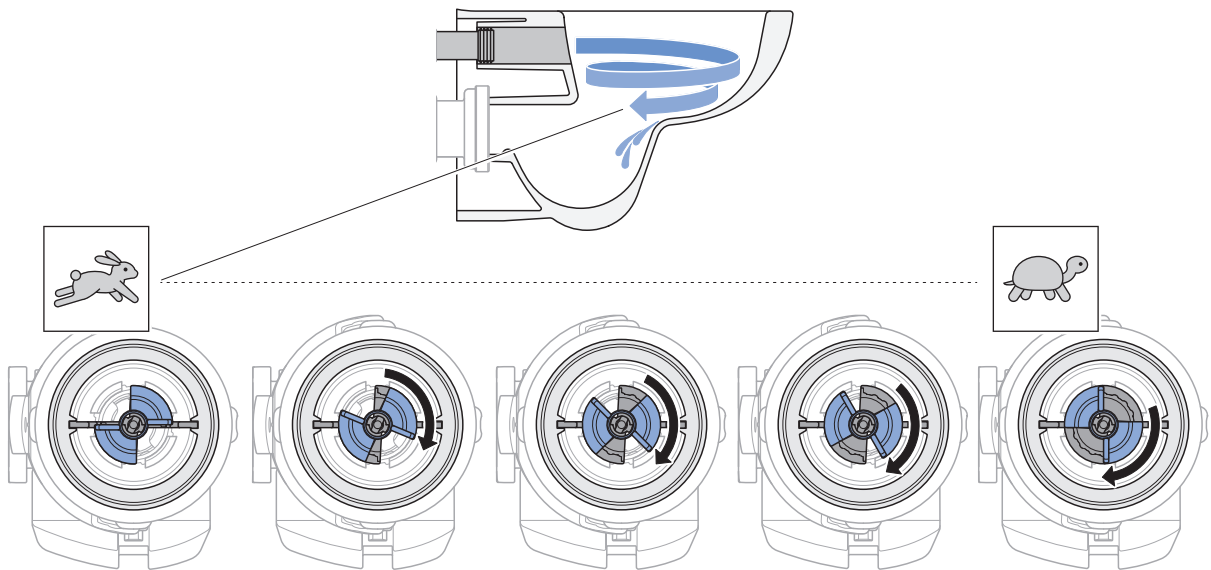


970.281.00.0(02)



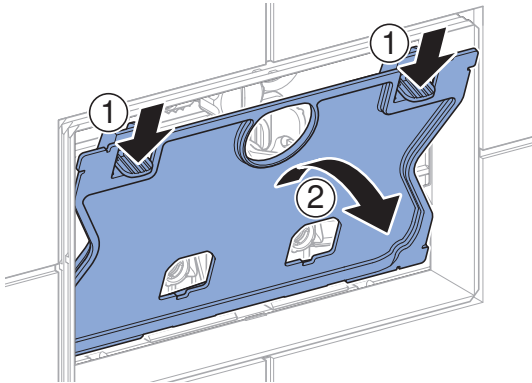


NOTE:
Not applicable for US
installations. Flush
volume modifications shown
are a violation of US law.
DO NOT ATTEMPT!

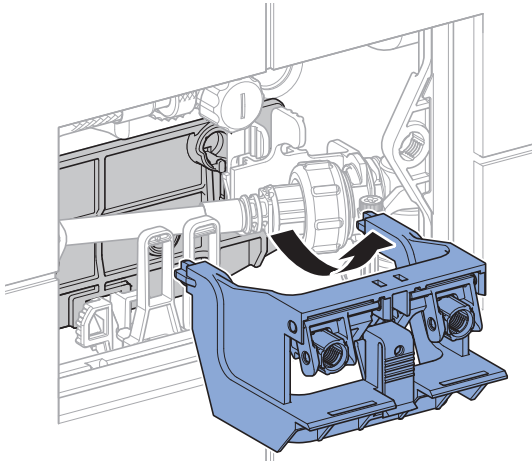




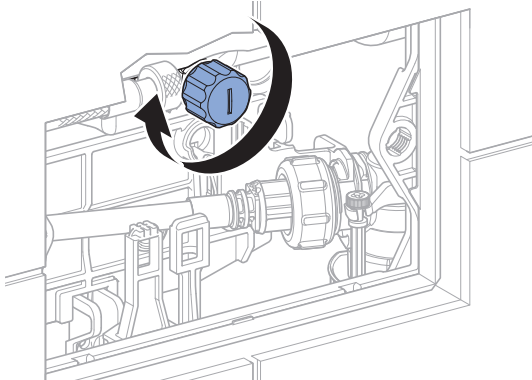
1



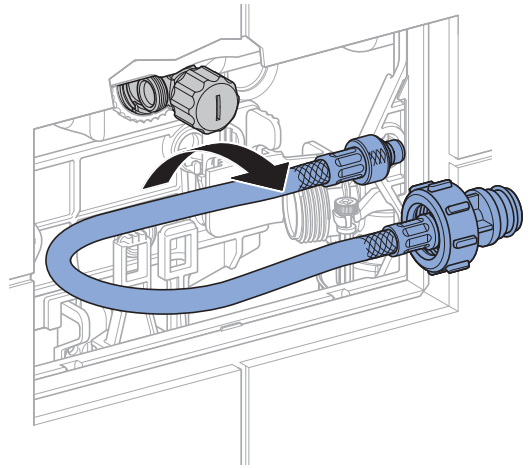
2



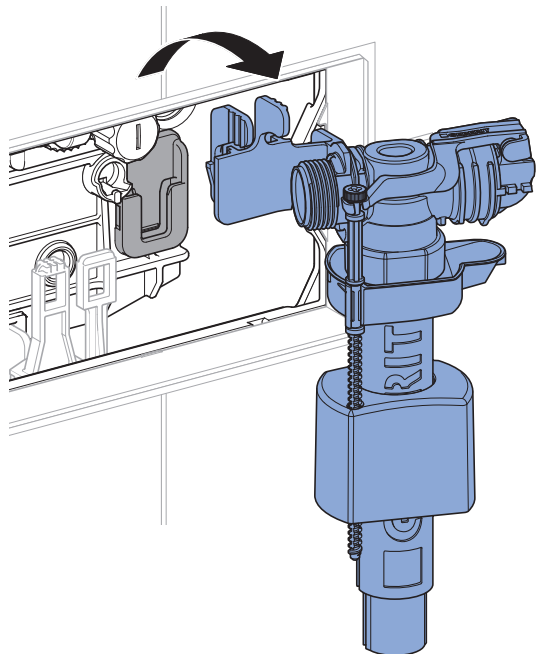
3



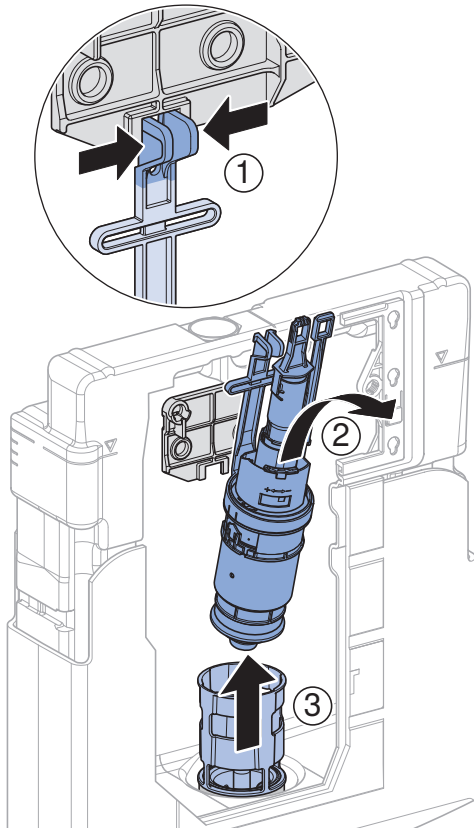
4



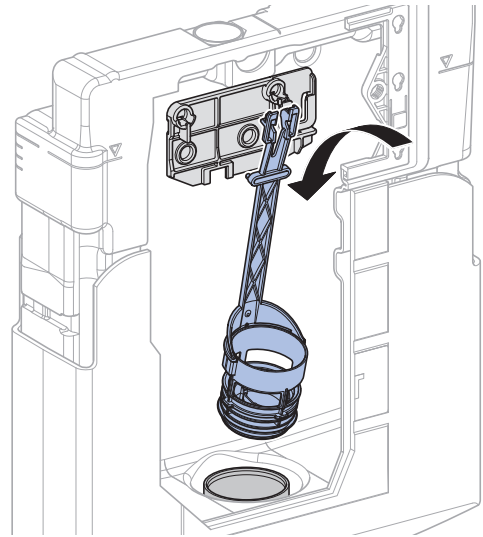
5



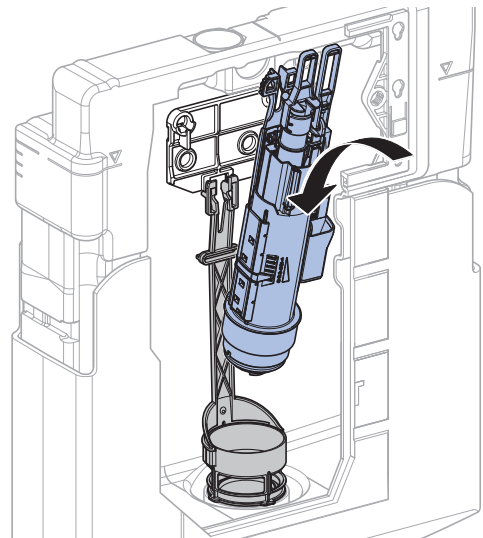
6



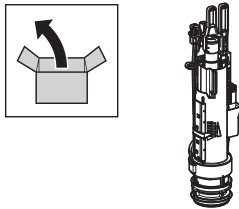
8



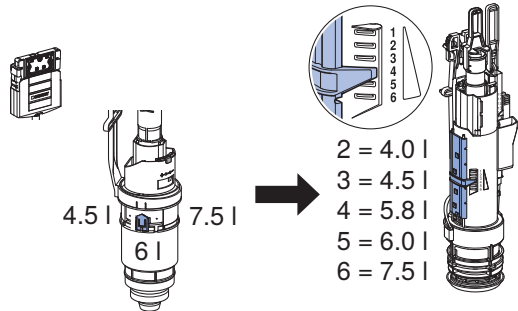
9



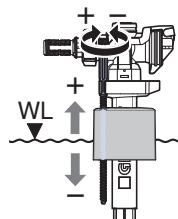
7



i



NOTE:
Not applicable for US installations. Flush volume modifications shown are a violation of US law. **DO NOT ATTEMPT!**



Geberit International AG
Schachenstrasse 77, CH-8645 Jona
documentation@geberit.com
www.geberit.com

